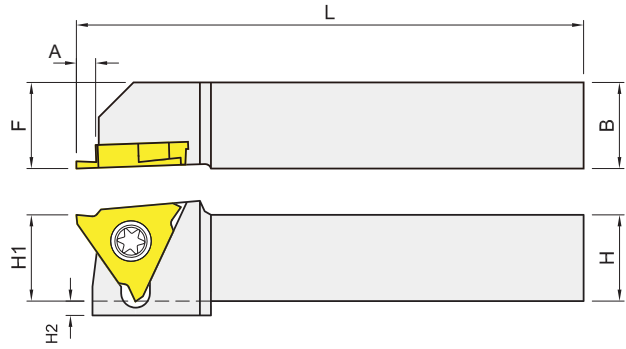



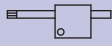
## KGBF



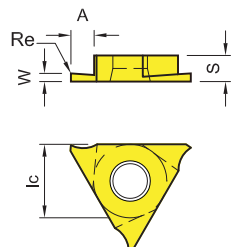
功能：開槽 Grooving



Right-hand shown

Item code	Dimensions,mm					Insert	Screw 	Wrench 	Weight Kg
	H (H1)	B	L	H2	F				
<b>NEW</b> KGBFR-1010K-16F	10	10	125	4	10	GBF32R..	MS4008C	ETF10	0.10
<b>NEW</b> KGBFR-1212K-16F	12	12	125	2	12				0.15
<b>NEW</b> KGBFR-1616K-16F	16	16	125	--	16				0.27

被切削材 Workpiece material	Steel 鋼	P	●	
	Stainless steel 不銹鋼	M	●	
	Cast iron 鑄鐵	K		●
	Non-ferrous metal 非鐵金屬	N		●

Insert Shape	Description	GRADE 材質		Dimensions,mm				
		Coated 塗層	Uncoated 無塗層	W	A	Ic	S	Re
		PR1215	GW15					
	<b>GBF 32R050-005</b>	●		0.5	1.2	9.525	3.18	0.05
	<b>32R100-005</b>			1.0	2			
	<b>32R120-005</b>			1.2				
	<b>32R130-005</b>			1.3				
	<b>32R150-005</b>			1.5	2.7			